



Description: modular recessed LED system with direct emission, consisting of an extruded aluminum profile, which can be used both individually and in a continuous row to create cuts of light without interruptions.

Body: profile in aluminum alloy 6060 T5, painted in “dry” white color with thermosetting epoxy powders at 180 ° C, after degreasing, phosphating and washing treatment. Other colors according to the RAL range are available on request. Supplied without heads and installation accessories (to be ordered separately).

Optical group: PST optic with satin opal polycarbonate diffuser, with a smooth finish, ideal for uniform distribution. Optic snap fastened to the luminaire body without the use of tools. Glow-wire test 850 ° C. Protection degree **IP40**.

Wiring: power supply 220-240V 50 / 60Hz with rigid cable, sect. 0.50 mm² e PVC-HT sheath resistant to 90 ° C according to CEI 20-20 standards. Terminal block with maximum allowed cable cross section of 2.5 mm². Insulation class I. Suitable for installation on normally flammable surfaces.

- LED version with electronic driver with fixed output (ON / OFF), included.
 - LED DALI version with DALI standard digital dimmable electronic driver, included.
- Versions with emergency kit (1/3 hours of autonomy) are available on request.

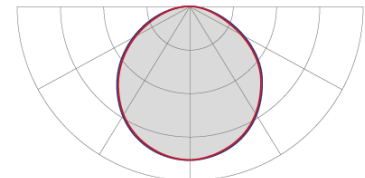
Luminous source: High efficiency LEDs arranged on rigid modules, color rendering CRI > 80 (CRI > 90 available on request), color temperature 3000K or 4000K (LED diode selected 3 MacAdam ellipses in order to guarantee uniform chromaticity), duration > 50000 hours L80 / F10 at Ta = 25 ° C.

Regulations: appliance complies with the following standards:

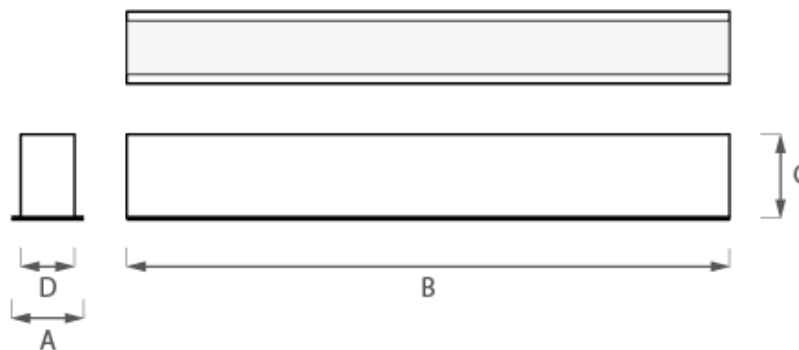
- | | | |
|-----------------|------------------|---------------------------|
| • EN 61547 | • IEC/TR 62471-2 | • EN 60598-2-2 |
| • EN 55015 | • EN 60061-1 | • EN 62471 (risk class 0) |
| • EN 61000-3-2 | • EN 62031 | • EN 62560 |
| • EN 61000-3-3 | • EN 62493 | • EN 60968 |
| • EN 61347-1 | • EN 60598-1 | • CEI 76-10 |
| • EN 61347-2-13 | • EN 60598-2-1 | • EN 60529 |



Demonstration image



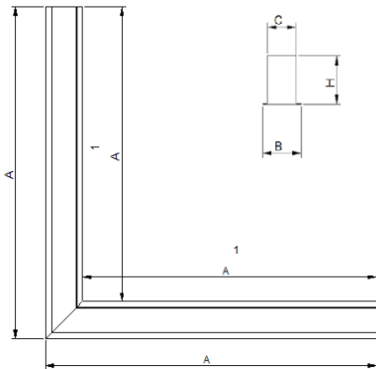
Photometric curve





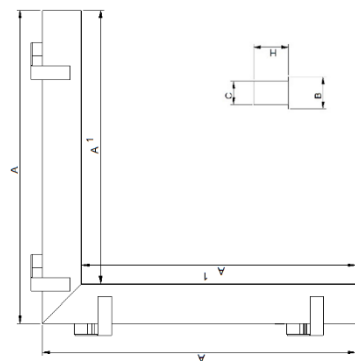
Linear modules

Power [W]	Color temperature [K]	CRI	Effective flux [lm] *	Efficiency [lm/W]	Energetic class	Dimensions [mm]					Code / Wiring	
						A	B**	C	D	recessed ***	LED	LED DALI
13	3000	>80	1105	85	A++	67	561	78	50	561x55	661000664	661000665
13	4000	>80	1183	91	A++	67	561	78	50	561x55	661000666	661000667
26	3000	>80	2210	85	A++	67	1121	78	50	1121x55	661000668	661000669
26	4000	>80	2366	91	A++	67	1121	78	50	1121x55	661000670	661000671
33	3000	>80	2805	85	A++	67	1401	78	50	1401x55	661001276	661001277
33	4000	>80	3003	91	A++	67	1401	78	50	1401x55	661001278	661001279
39	3000	>80	3315	85	A++	67	1681	78	50	1681x55	661000672	661000673
39	4000	>80	3549	91	A++	67	1681	78	50	1681x55	661000674	661000675
52	3000	>80	4420	85	A++	67	2241	78	50	2241x55	661000676	661000677
52	4000	>80	4732	91	A++	67	2241	78	50	2241x55	661000678	661000679
65	3000	>80	5525	85	A++	67	2801	78	50	2801x55	661000680	661000681
65	4000	>80	5915	91	A++	67	2801	78	50	2801x55	661000682	661000683



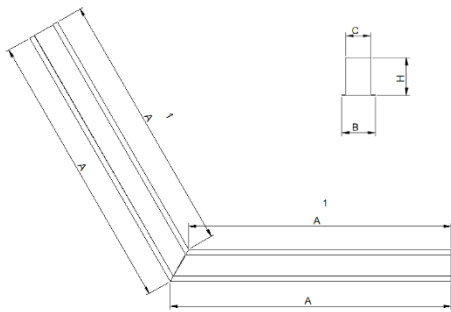
Corner modules (90 °)

Power [W]	Color temperature [K]	CRI	Effective flux [lm] *	Efficiency [lm/W]	Energetic class	Dimensions [mm]						Code / Wiring	
						A*	A1*	B	C	H	recessed***	LED	LED DALI
26	3000	>80	2210	85	A++	600	533	67	50	78	592X542x55	661000765	661000767
26	4000	>80	2366	91	A++	600	533	67	50	78	592X542x55	661000766	661000768

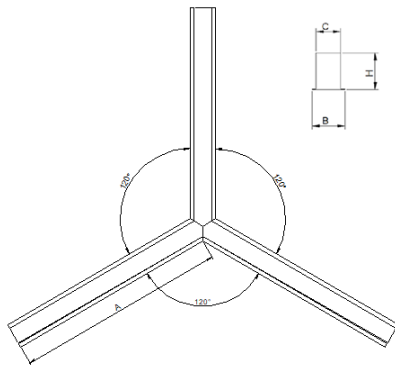


Wall / ceiling corner modules (90 °)

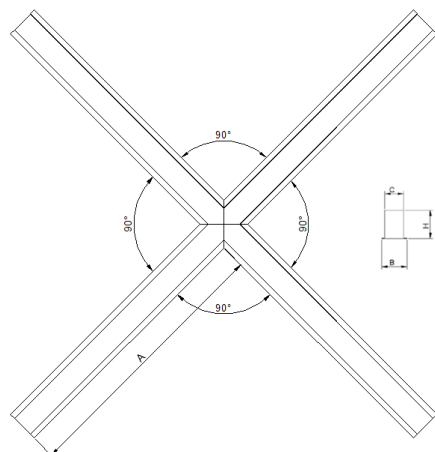
Power [W]	Color temperature [K]	CRI	Effective flux [lm] *	Efficiency [lm/W]	Energetic class	Dimensions [mm]						Code / Wiring	
						A*	A1*	B	C	H	recessed ***	LED	LED DALI
26	3000	>80	2210	85	A++	620	540	67	50	78	542X542X55	661000769	661000771
26	4000	>80	2366	91	A++	620	540	67	50	78	542X542X55	661000770	661000772



Corner modules (120°)						Dimensions [mm]					Code / Wiring		
Power [W]	Color temperature [K]	CRI	Effective flux [lm] *	Efficiency [lm/W]	Energetic class	A*	A1*	B	C	H	recessed ***	LED	LED DALI
26	3000	>80	2210	85	A++	585	546	67	50	78	582X552X55	661000773	661000775
26	4000	>80	2366	91	A++	585	546	67	50	78	582X552X55	661000774	661000776



Y Geometry						Dimensions [mm]					Code / Wiring	
Power [W]	Color temperature [K]	CRI	Effective flux [lm] *	Efficiency [lm/W]	Energetic class	A*	B	C	H	recessed ***	LED	LED DALI
39	3000	>80	3315	85	A++	545	67	50	78	552X55	661000781	661000783
39	4000	>80	3549	91	A++	545	67	50	78	552X55	661000782	661000784



X Geometry						Dimensions [mm]					Code / Wiring	
Power [W]	Color temperature [K]	CRI	Effective flux [lm] *	Efficiency [lm/W]	Energetic class	A*	B	C	H	recessed***	LED	LED DALI
52	3000	>80	4420	85	A++	535	67	50	78	545X55	661000785	661000787
52	4000	>80	4732	91	A++	535	67	50	78	545X55	661000786	661000788



* Dimensions relative to the module only - to add the headers at the beginning and end of the line (+10 mm each)

** Actual flow may have a tolerance of $\pm 10\%$.

*** Add + 5 mm to the total sum of the length of all modules placed in a continuous row.

**** The product is supplied as standard without end caps, to be ordered separately.

INSTALLATION ACCESSORIES



COD. **TC661004**

End caps in aluminum painted in DRY WHITE color.
Fixing screws supplied.
2-piece kit.



COD. **KFS661000**

Alignment bracket for installation in a continuous line, made of galvanized steel.
2-piece kit.